

इंटरनेट

मानक

Disclosure to Promote the Right To Information

Whereas the Parliament of India has set out to provide a practical regime of right to information for citizens to secure access to information under the control of public authorities, in order to promote transparency and accountability in the working of every public authority, and whereas the attached publication of the Bureau of Indian Standards is of particular interest to the public, particularly disadvantaged communities and those engaged in the pursuit of education and knowledge, the attached public safety standard is made available to promote the timely dissemination of this information in an accurate manner to the public.

“जानने का अधिकार, जीने का अधिकार”

Mazdoor Kisan Shakti Sangathan

“The Right to Information, The Right to Live”

“पुराने को छोड़ नये के तरफ”

Jawaharlal Nehru

“Step Out From the Old to the New”

IS 7459 (1974): Wasp Trap [FAD 3: Apiary Industry]



“ज्ञान से एक नये भारत का निर्माण”

Satyanarayan Gangaram Pitroda

“Invent a New India Using Knowledge”



“ज्ञान एक ऐसा खजाना है जो कभी चुराया नहीं जा सकता है”

Bhartrhari—Nitiśatakam

“Knowledge is such a treasure which cannot be stolen”

BLANK PAGE

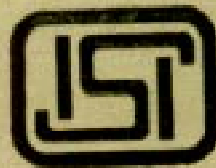


IS : 7459 - 1974

“पुनर्पुष्ट १६
“REAFFIRMED

Indian Standard
SPECIFICATION FOR WASP TRAP

UDC 638'1 : 639'1'081 : 595'798



© Copyright 1975

INDIAN STANDARDS INSTITUTION
MANAK BHAVAN, 9 BAHADUR SHAH ZAFAR MARG
NEW DELHI 110001

Price Rs 5.00



February 1975

Indian Standard

SPECIFICATION FOR WASP TRAP

Apiary Industry Sectional Committee, AFDC 11

<i>Chairman</i>	<i>Representing</i>
DR A. S. ATWAL	Government of Punjab
<i>Members</i>	
DR N. P. GOYAL (<i>Alternate</i> to Dr A. S. Atwal)	
SHRI AHMED ALI SHRI D. S. CHADHA DIRECTOR OF LABORATORIES	Khadi and Village Industries Board, Srinagar Central Committee for Food Standards, New Delhi Directorate of Marketing and Inspection (Ministry of Agriculture), Faridabad
SHRI K. N. RUSTAGI (<i>Alternate</i>) SHRI B. P. GUPTA	Directorate of Fruit Utilization Government of Uttar Pradesh, Ranikhet
JOINT DIRECTOR OF INDUSTRY & COMMERCE AGRICULTURAL DEVELOPMENT OFFICER (<i>Alternate</i>)	Department of Industries & Commerce, Govern- ment of Karnataka, Bangalore
SHRI K. M. JOYAPPA	Department of Industries & Commerce, Govern- ment of Karnataka, Bangalore
DR R. P. KAPIL SHRI O. P. KRISHNA	Haryana Agricultural University, Hissar Entomologist, Government of Himachal Pradesh, Simla
SHRI SUKHBIR SINGH (<i>Alternate</i>) SHRI M. P. NACHAIAH	Coorg Honey and Wax Producers' Co-operative Marketing Society Ltd, Virajpet
SHRI B. P. BOPALAH (<i>Alternate</i>) PRESIDENT	Martandam Bee-Keepers Co-operative Society Ltd, Martandam
SECRETARY (<i>Alternate</i>) DR N. C. PANT	Indian Agricultural Research Institute (ICAR), New Delhi
REPRESENTATIVE	Entomologist, Government of Haryana, Chandigarh
SHRI P. L. SHARMA SHRI S. G. SHENDE	Himachal Pradesh University, Simla Maharashtra State Khadi & Village Industries Board, Bombay; and All India Bee-Keepers' Association, Poona
SHRI C. S. BHAMBURE (<i>Alternate</i>) SHRI R. P. KAPIL (<i>Alternate</i>)	Maharashtra State Khadi & Village Industries Board, Bombay All India Bee-Keepers' Association, Poona

(*Continued on page 2*)

© Copyright 1975

INDIAN STANDARDS INSTITUTION

This publication is protected under the *Indian Copyright Act* (XIV of 1957) and reproduction in whole or in part by any means except with written permission of the publisher shall be deemed to be an infringement of copyright under the said Act.

(Continued from page 1)

Members

SHRI C. V. THAKAR
SHRI K. V. TONAPI (*Alternate*)
DR HARI BHAGWAN
Director (Agri & Food)

Representing

Khadi & Village Industries Commission, Bombay
Director General, ISI (*Ex-officio Member*)

Secretary

SHRI MANOHAR T. SANTWANI
Assistant Director (Agri & Food), ISI

Beekeeping Equipment Subcommittee, AFDC 11 : 2

Convener

SHRI C. V. THAKAR Khadi & Village Industries Commission, Bombay

Members

SHRI AHMED ALI J & K Khadi & Village Industries Board, Srinagar
SHRI O. P. KRISHNA Entomologist, Government of Himachal Pradesh,
Simla

SHRI SUKHBIR SINGH (*Alternate*)

SHRI B. M. MUTHAPA Department of Industries and Commerce, Govern-
ment of Karnataka, Bangalore
SHRI R. P. PHADKE Khadi & Village Industries Commission, Bombay
SHRI A. M. SHAH All India Bee-Keepers' Association, Poona

SHRI TIRATH RAM (*Alternate*)

SHRI P. L. SHARMA Himachal Pradesh University, Simla
SHRI S. G. SHENDE Maharashtra State Khadi & Village Industries
Board, Bombay

Indian Standard

SPECIFICATION FOR WASP TRAP

0. FOREWORD

0.1 This Indian Standard was adopted by the Indian Standards Institution on 22 October 1974, after the draft finalized by the Apiary Industry Sectional Committee had been approved by the Agricultural and Food Products Division Council.

0.2 Wasp traps are used in several other countries. The field trials in Kangra Valley and Kashmir have shown that by using traps covered by the standard based on the Central Beekeeping Research Institute investigations, it had been possible to trap about 100 wasps daily during the active season.

0.3 To control wasps which attack bee colonies for their food, an easier and efficient way is to use wasp traps. Wasp trap is a wooden box resembling a beehive, outwardly, designed to trap wasps with the help of baits like fermented honey, jaggery, rotten fish, rotten fruits, putrified meat and discarded brood count with little honey stores.

0.4 Baits are placed in the lower chamber to attract wasps, which enter the trap through its entrance. The wasps enter the top cover through the central hole of the inner cover and are ultimately caught in the wire cage. The cage is then removed and wasps are destroyed.

0.5 In the preparation of this standard, considerable assistance has been derived from the information supplied by the Khadi and Village Industries Commission, Bombay.

0.6 For the purpose of deciding whether a particular requirement of this standard is complied with, the final value, observed or calculated, expressing the result of a test, shall be rounded off in accordance with IS : 2-1960*. The number of significant places retained in the rounded off value should be the same as that of the specified value in this standard.

1. SCOPE

1.1 This standard prescribes the material, dimensions and other requirements for wasp traps.

*Rules for rounding off numerical values (*revised*).

2. REQUIREMENTS

2.1 Essential Parts

2.1.1 Assembly of wasp trap is shown in Fig. 1. Wasp trap shall consist of the following main parts:

- a) Wire gauze cage (Fig. 2)
- b) Top cover (Fig. 3)
- c) Inner cover (Fig. 4)
- d) Lower chamber (Fig. 5)

2.1.2 The wasp trap shall be placed on a suitable stand (Fig. 1)

2.2 Shape and Dimensions — The wasp trap and its parts shall conform as far as possible to the shape and dimensions as given in Fig. 1 to 5.

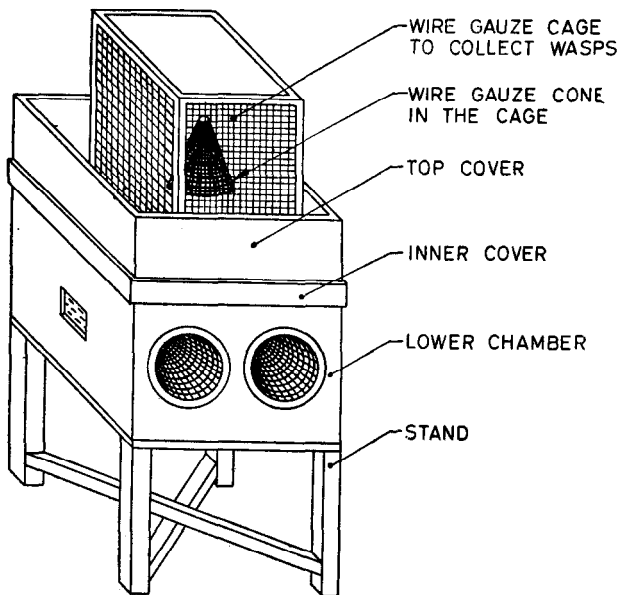
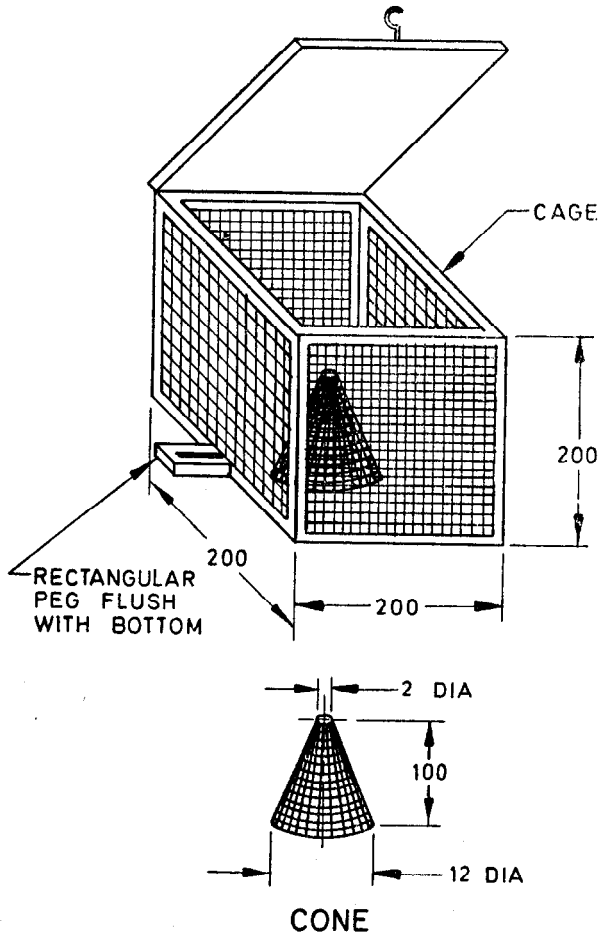
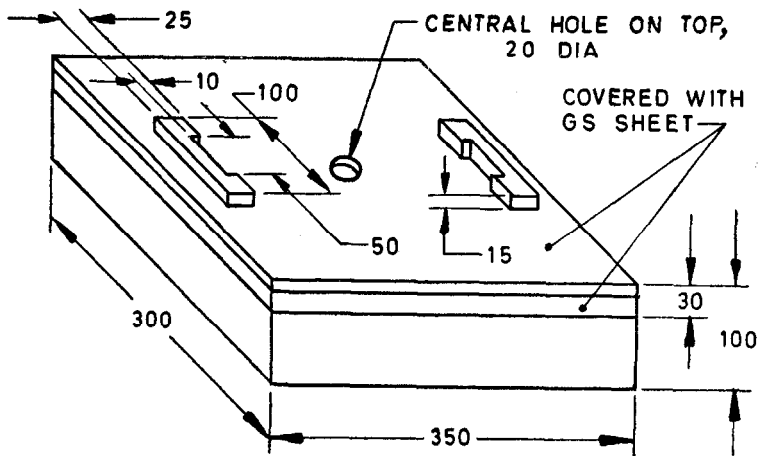


FIG. 1 ASSEMBLY OF WASP TRAP



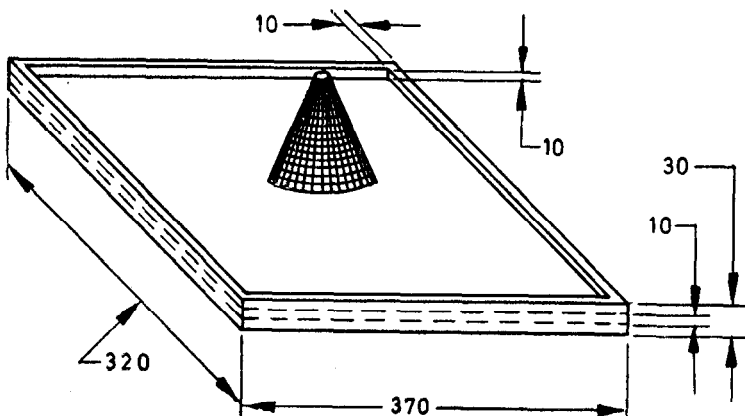
All dimensions in millimetres.

FIG. 2 WIRE GAUZE CAGE AND CONE



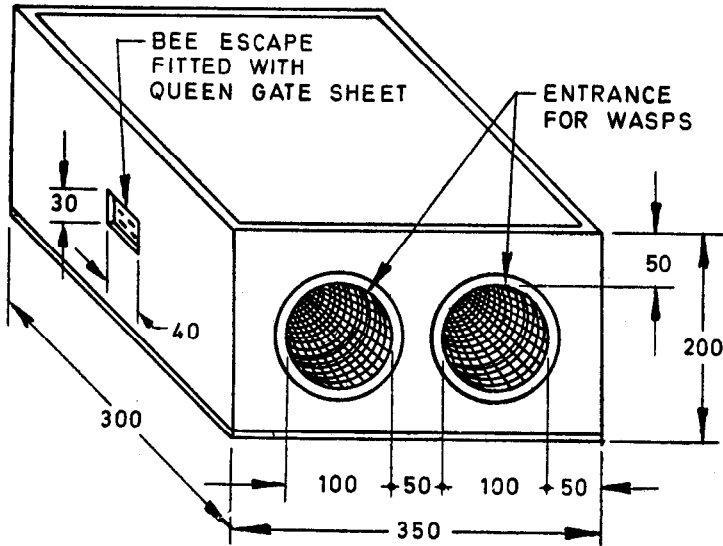
All dimensions in millimetres.

FIG. 3 TOP COVER



All dimensions in millimetres.

FIG. 4 INNER COVER



All dimensions in millimetres.

FIG. 5 LOWER CHAMBER

2.3 Material

2.3.1 Wood — Well seasoned timber, such as teak (*Tectona grandis* Linn.), piney (*Hardwickia pinnata* Roxb.), pine (*Pinus longifolia*) and toon (*Cedrela toona* Roxb.) (see IS: 399-1964*) shall be used.

2.3.2 Wire — Shall be galvanized mild steel wire of diameter 0.4 mm. There should be 16 holes in one square centimetre screen area.

2.3.3 Bee Escape Gate — The details and dimensions of bee escape gate shall be as given in 6.1.1 of IS: 1515-1969†.

2.4 Workmanship and Finish — The different parts of the trap should have smooth finish. Exterior surface shall be painted white, light blue, light green or yellow to prolong the life of the equipment. All joints shall be sound to withstand normal use. The trap shall be suitably reinforced by side bars and supports.

3. PACKING AND MARKING

3.1 The different parts of the trap shall be packed in such a way as to protect them from damage in transit and during storage.

*Classification of commercial timbers and their zonal distribution (revised).

†Specification for beehives (first revision).

3.2 Marking — Following information shall be engraved on each wasp trap:

- a) Name of the manufacturer;
- b) Batch or code number; and
- c) Registered trade-mark, if any.

3.2.1 Each wasp trap may also be marked with the ISI Certification Mark.

NOTE — The use of the ISI Certification Mark is governed by the provisions of the Indian Standards Institution (Certification Marks) Act and the Rules and Regulations made thereunder. The ISI Mark on products covered by an Indian Standard conveys the assurance that they have been produced to comply with the requirements of that standard under a well-defined system of inspection, testing and quality control which is devised and supervised by ISI and operated by the producer. ISI marked products are also continuously checked by ISI for conformity to that standard as a further safeguard. Details of conditions under which a licence for the use of the ISI Certification Mark may be granted to manufacturers or processors, may be obtained from the Indian Standards Institution.

INDIAN STANDARDS

ON

APIARY INDUSTRY

IS:

- 1504-1974 Beeswax (*second revision*)
- 1515-1969 Beehives (*first revision*)
- 1735-1960 Hive stands
- 1736-1960 Honey extractor, tangential type
- 2072-1962 Comb foundation sheets
- 3891-1966 Layout for honey processing plant
- 3894-1966 Comb foundation mill
- 4941-1974 Extracted honey (*first revision*)
- 5426-1969 Travelling bees box
- 5427-1969 Honey extractor, radial type
- 6695-1972 Code for conservation and maintenance of honey bees

INDIAN STANDARDS INSTITUTION

Manak Bhavan, 9 Bahadur Shah Zafar Marg, NEW DELHI 110001

Telephone : 27 01 31 (20 lines)

Telegrams : Manaksanstha

Branch Offices:

	Telephone
'Sadhna', Nurmohamed Shaikh Marg, Khanpur, AHMEDABAD 380001	2 03 91
F Block, Unity Bldg, Narasimharaja Square, BANGALORE 560002	2 76 49
534 Sardar Vallabhbhai Patel Road, BOMBAY 400007	35 69 44
5 Chowringhee Approach, CALCUTTA 700013	23-08 02
Kothi No. 90, Sector 18A, CHANDIGARH	2 83 20
5-8-56/57 Nampally Station Road, HYDERABAD 500001	4 57 11
117/418 B Sarvodaya Nagar, KANPUR 208005	82 72
54 General Patters Road, MADRAS 600002	9 37 81
B. C. I. Building (Third Floor), Gandhi Maidan East, PATNA 800004	2 56 55